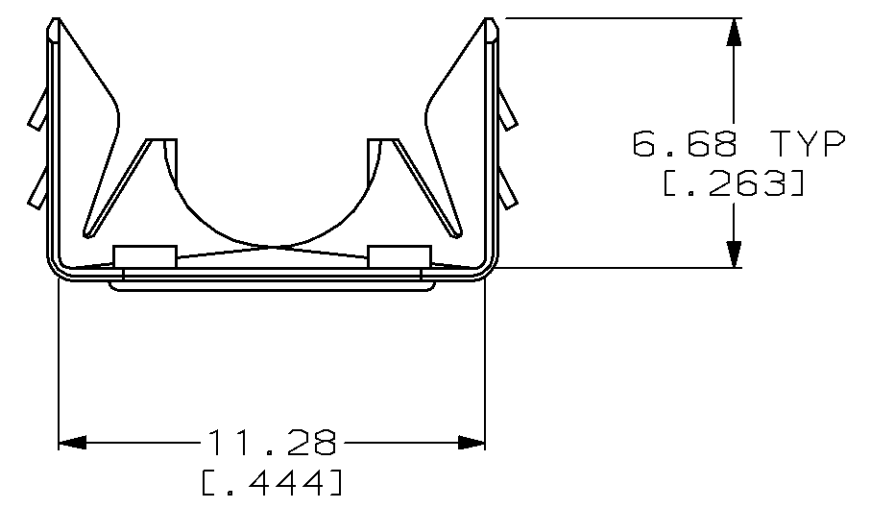
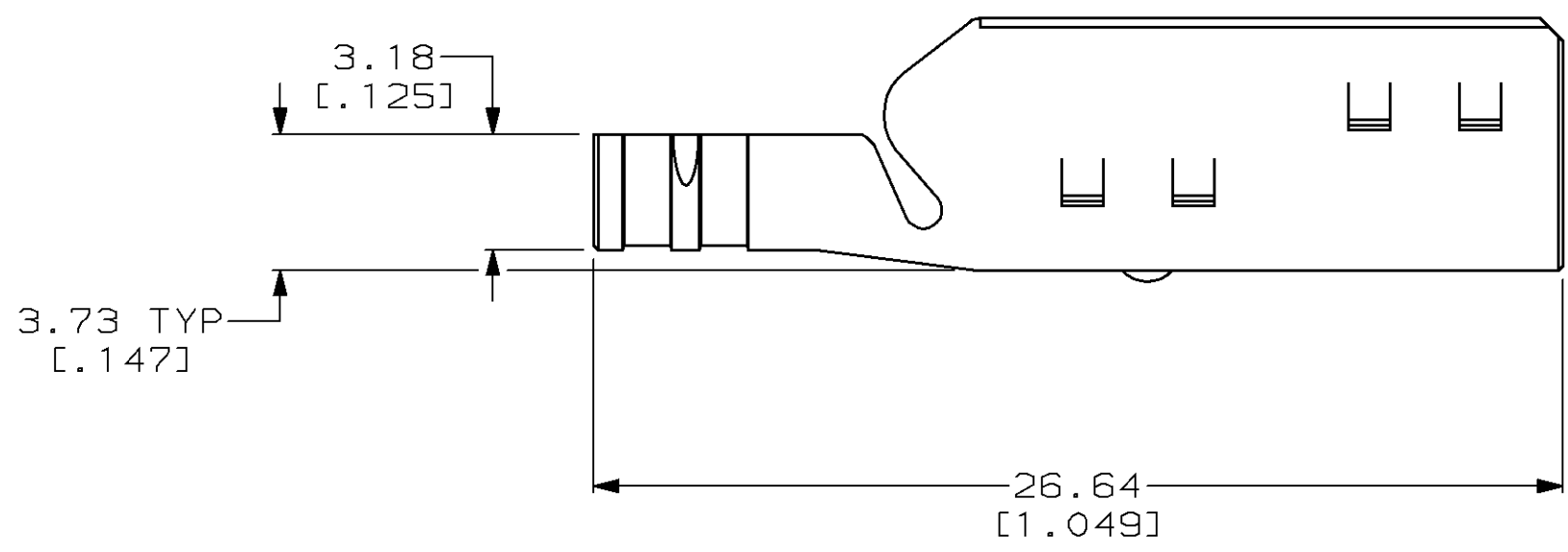
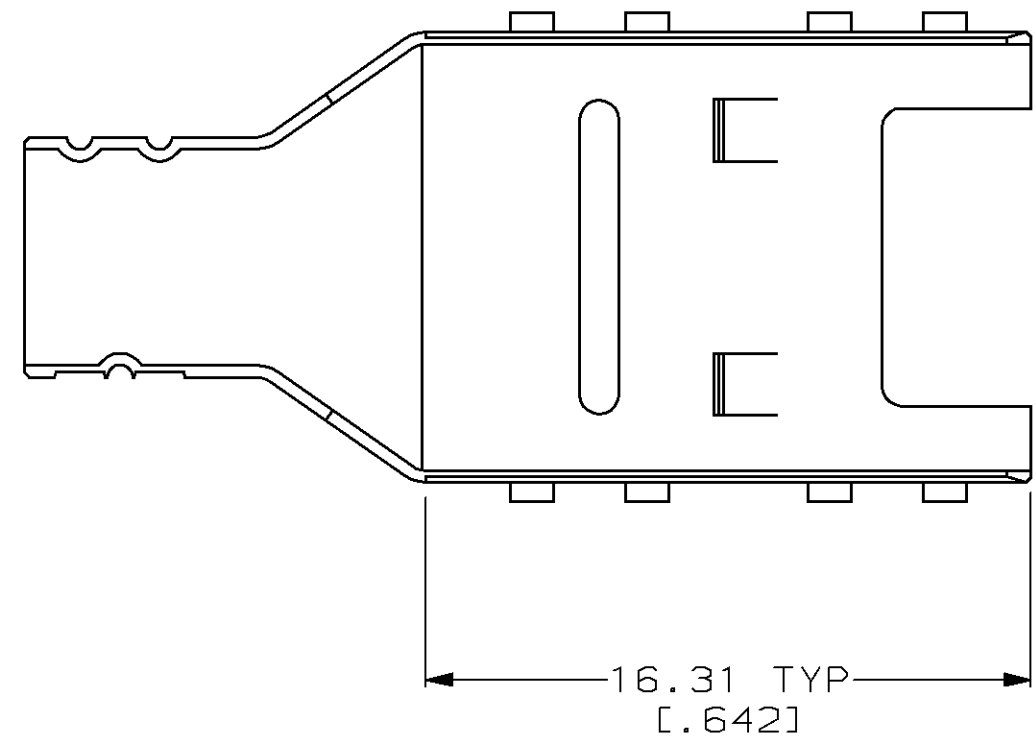


THIS DRAWING IS UNPUBLISHED. RELEASED FOR PUBLICATION
 © COPYRIGHT 19 BY AMP INCORPORATED. ALL INTERNATIONAL RIGHTS RESERVED.

| LOC | DIST | P | F | ZONE | LTR | DESCRIPTION | DATE | APPD |
|-----|------|---|---|------|-----|------------------------|-----------|------|
| BD | 50 | | | | D | REDRAWN | 9/27/90 | - |
| | | | | | E | REV PER ECN BD5592 | 11/21/91 | - |
| | | | | | F | REV PER EC 0410-251-97 | 22 SEP 97 | JDS |

1. THIS PART TO BE USED WITH:
 PLUG ASSEMBLY 520424-2 (ALL KEY PREFIXES)
 TOP SHIELD 520462-1

| FERRULE | CABLE DIAMETER |
|----------|-----------------------|
| 520434-1 | 5.08-4.27 [.200-.168] |
| 520435-1 | 5.84-4.83 [.230-.190] |



520463-1
 PART NUMBER

| | | |
|--|-----------------------------|--|
| DO NOT SCALE PRINT. UNLESS SPECIFIED DIMENSIONS IN mm [INCHES] TOLERANCES ON: 2 PLC DEC ± 0.38 [.015] 3 PLC DEC ± - ANGLES ± - | DR 9/27/90 A.STAUB BG | AMP Incorporated Harrisburg, PA 17105-3608 |
| | CHK 2-25-91 R.STONE | |
| MATERIAL 0.320 [.0126] CARBON STEEL | APPD 2-27-91 J.PRITULSKY | NAME SHELL, BOTTOM HALF, 6 POSITION, SDL |
| | APPD - PRODUCT SPEC - | |
| FINISH 3.81 µm [.000150] MIN TIN OVER 2.54 µm [.000100] MIN COPPER | APPLICATION SPEC - | SIZE CAGE CODE C 00779 |
| | WEIGHT - | DRAWING NO 520463 |
| | | SCALE 5:1 SHEET 1 OF 1 |